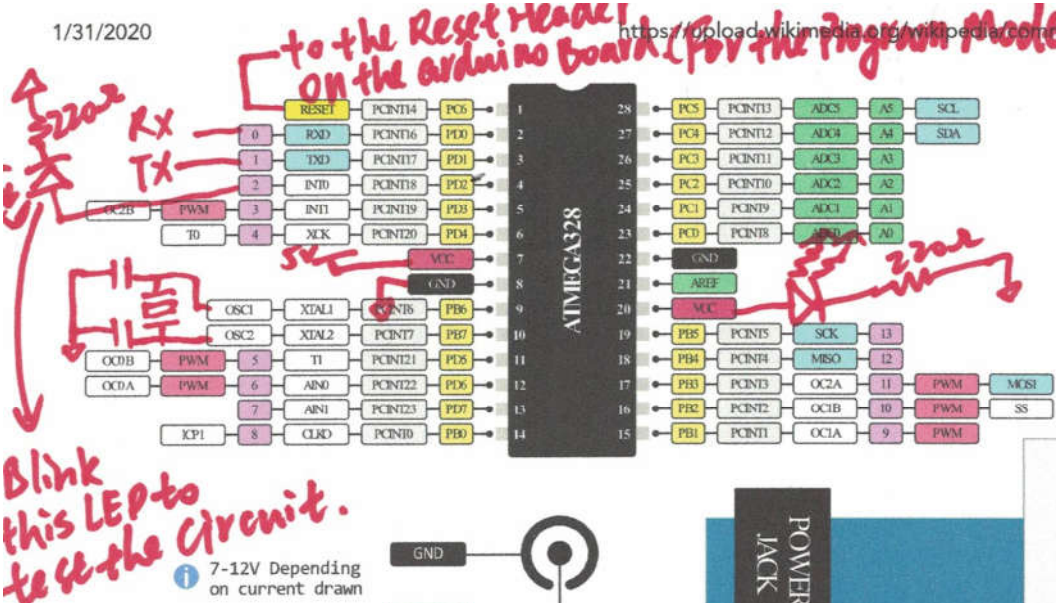
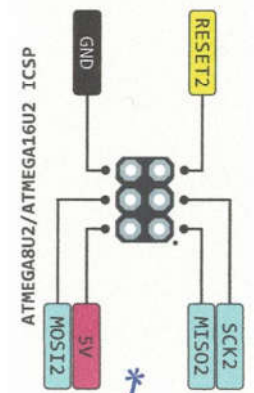
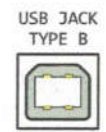


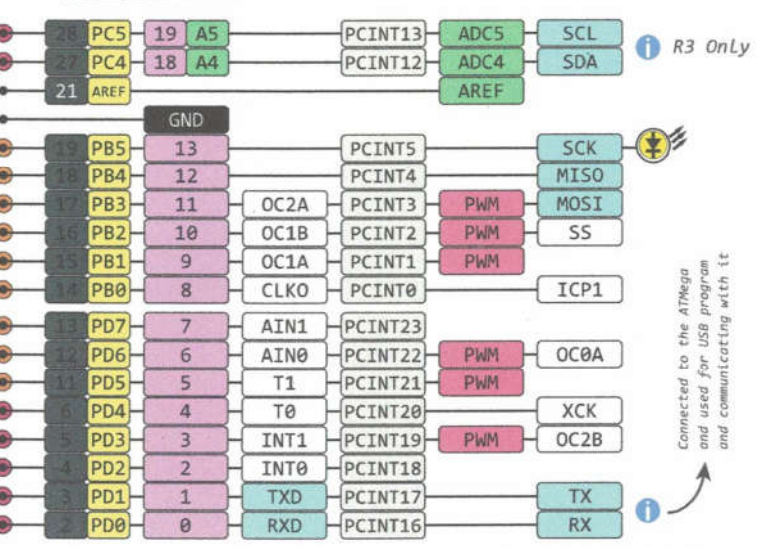
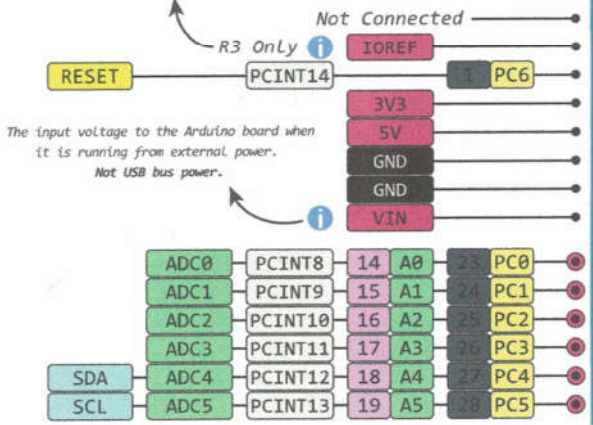
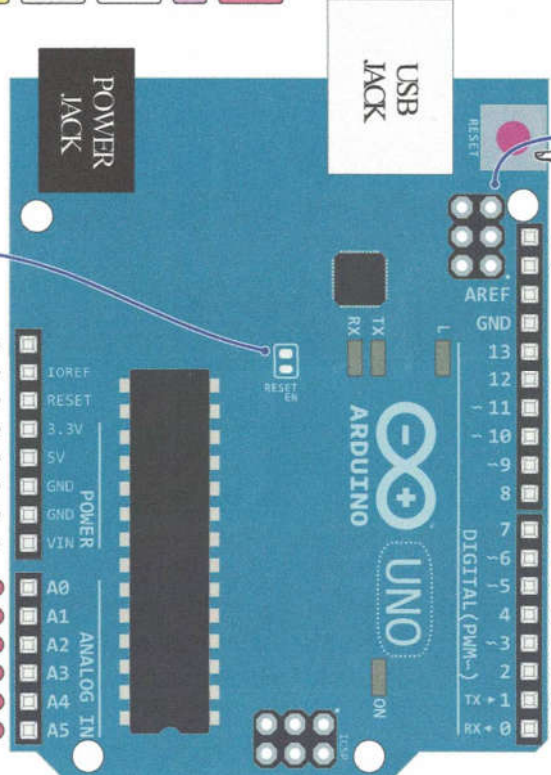
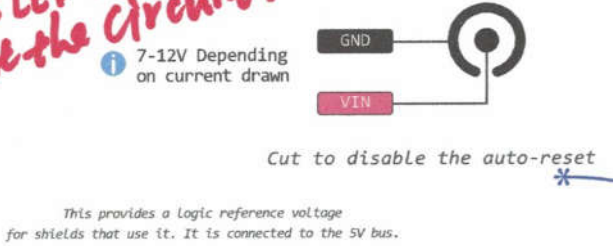
THE DEFINITIVE ARDUINO UNO PINOUT DIAGRAM



Blink this LED to test the circuit.



- ⚠ Absolute max per pin 40mA recommended 20mA
- ⚠ Absolute max 200mA for entire package



Connected to the ATMEGA and used for USB program and communicating with it

- GND
- Power
- Control
- Physical Pin
- Port Pin
- Pin Function
- Digital Pin
- Analog Related Pin
- PWM Pin
- Serial Pin
- IDE
- Source Total 150mA

