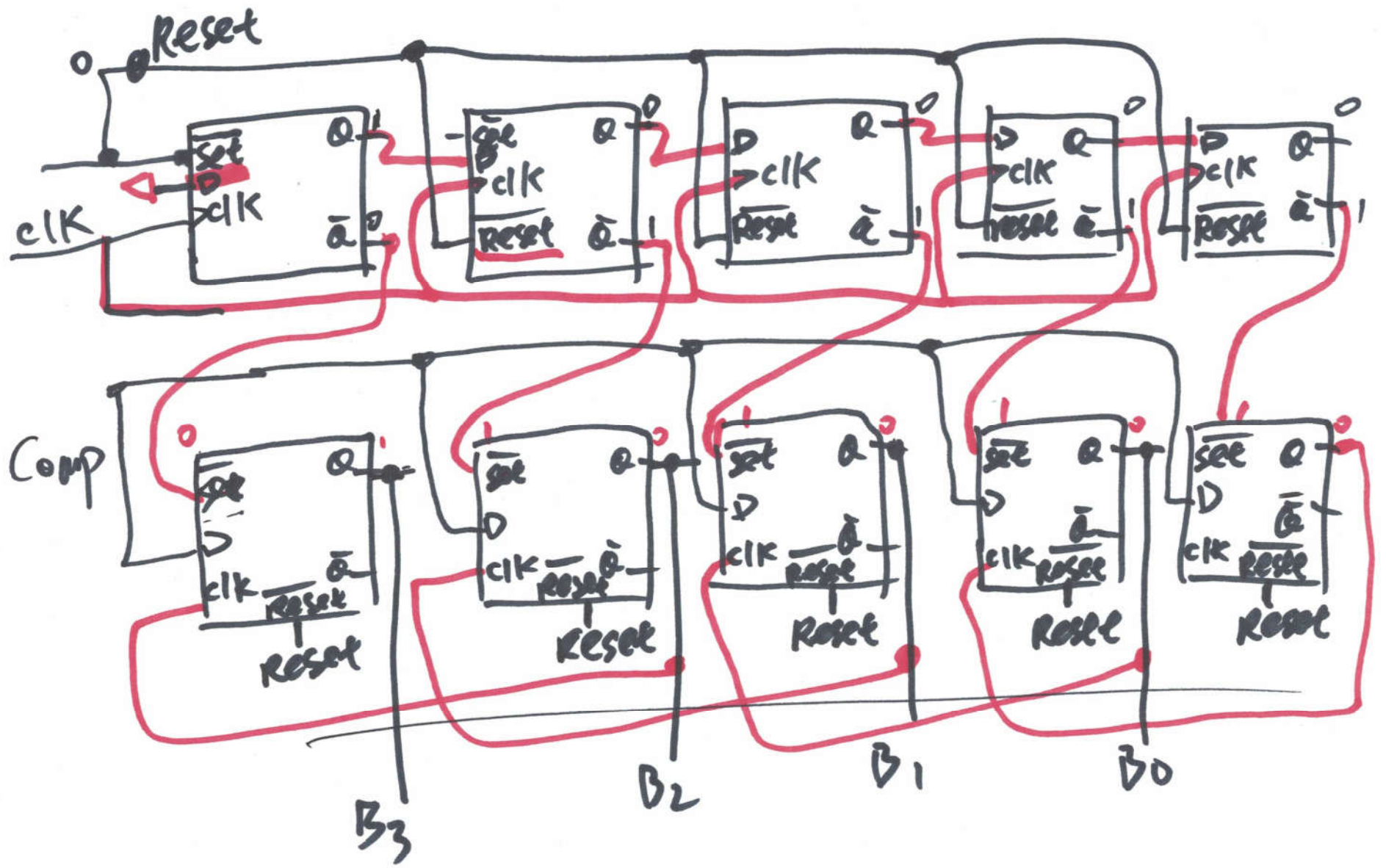
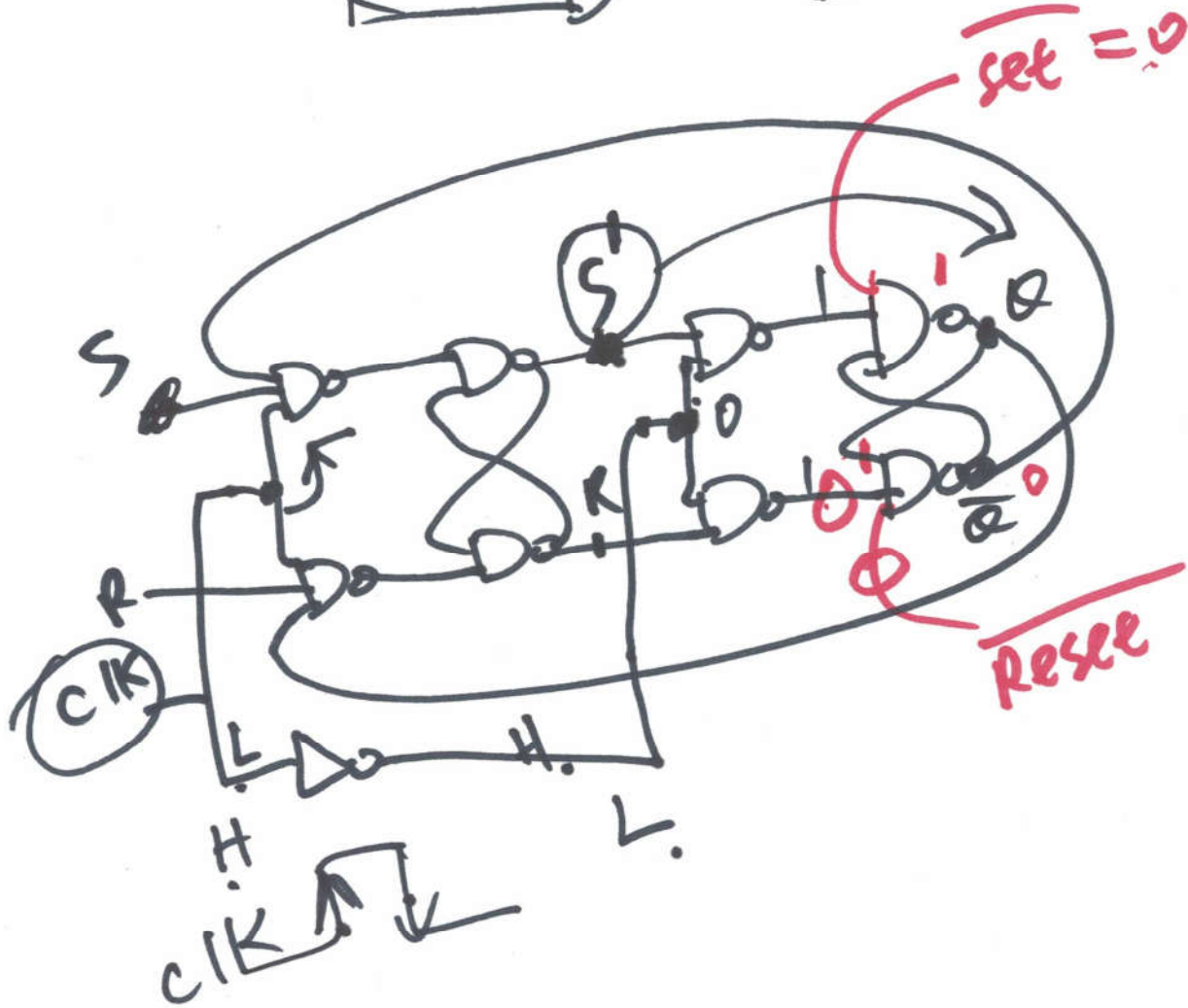
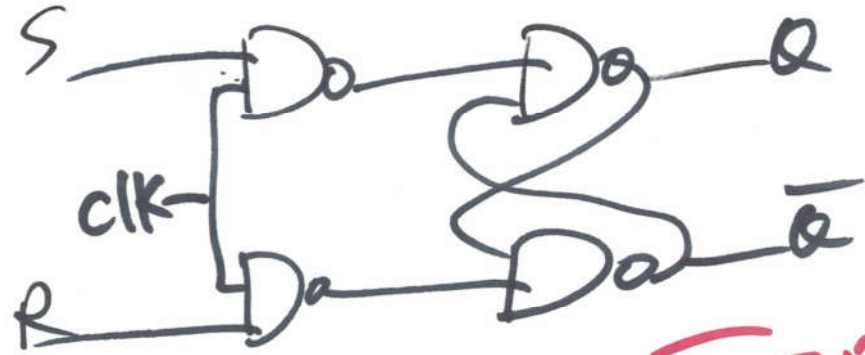


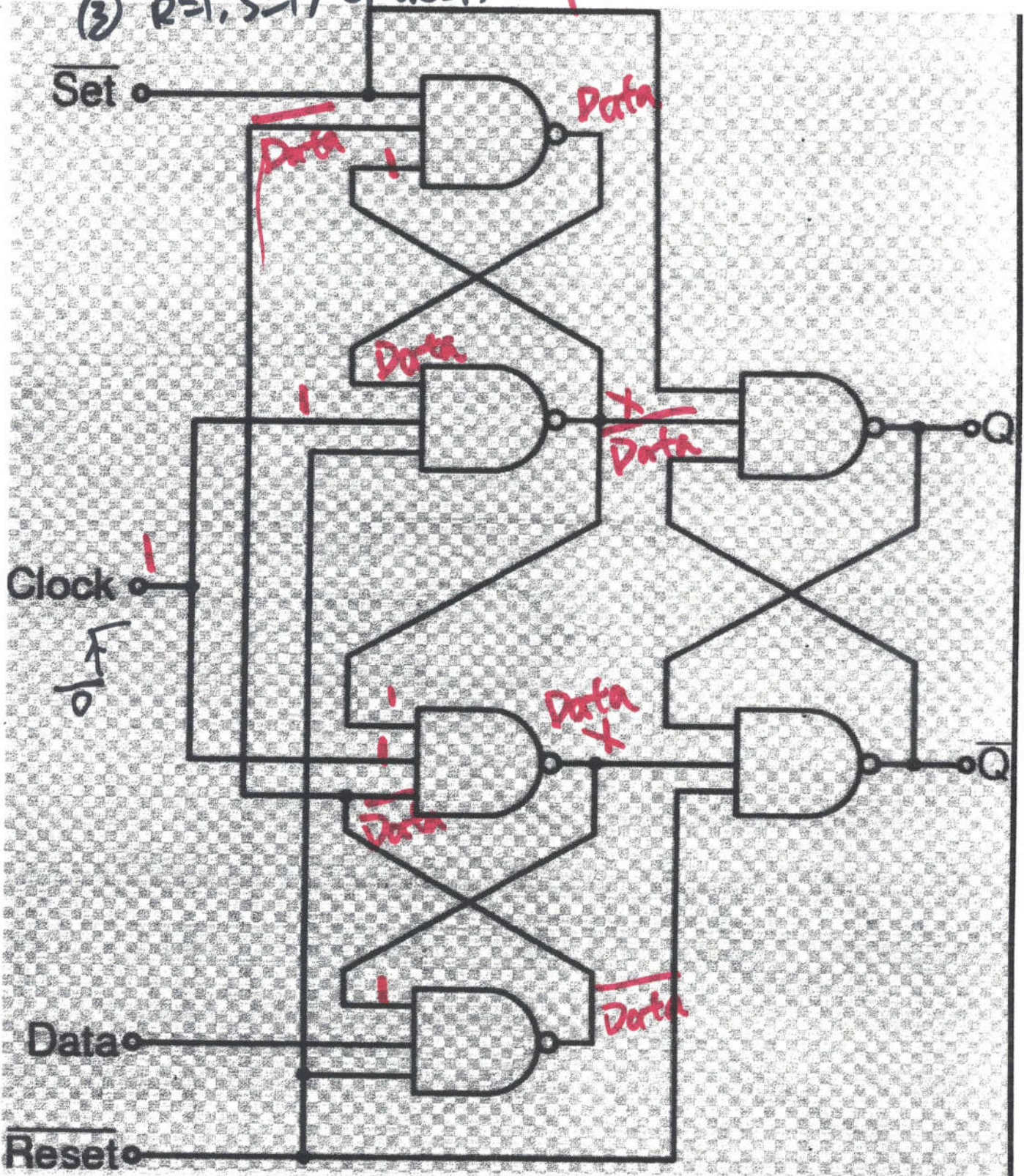
	B_3	B_2	B_1	B_0	Comp
1	1	0	0	0	A_3
2	A_3	1	0	0	A_2
3	A_3	A_2	1	0	A_1
4	A_3	A_2	A_1	1	A_0
5	A_3	A_2	A_1	A_0	x





(4)

- ① $R=0, S=0$, impossible
- ② $R=1, S=1$, clock= \downarrow , happens
- ③ $R=1, S=1$, clock= \uparrow , impossible



- ① Why \uparrow triggered?
- ① when clock = 0, R=S=1, memory
- ② when clock \downarrow ,

