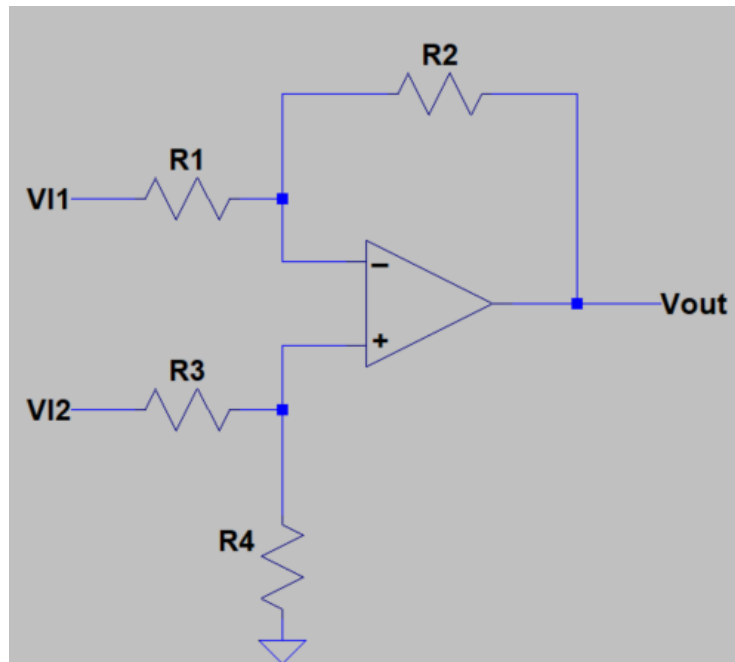


CE432 Robotics II HW2

1. Watch the lecture video (Week 4, Feb 7) in the following link and complete the following problems. If you are not familiar with Op Amps, please watch the videos about Op Amps (Jan 31 – Feb 7) on the webpage.

http://yilectronics.com/Courses/ENGR337/ENGR337_2020s/lectures.html

1.1 Derive the differential gain and the common mode gain of the following difference amplifier. Then, show the common-mode rejection ratio (CMRR). (Assume $R2/R1 = R4/R3$, or say, $R2=R4$, $R1=R3$).



1.2 Derive the voltage gain of the following instrumentation amplifier.

